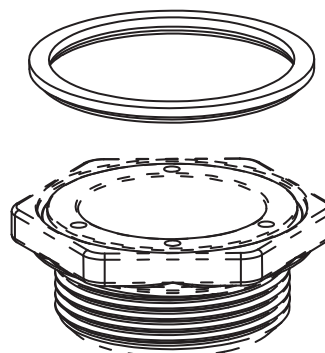
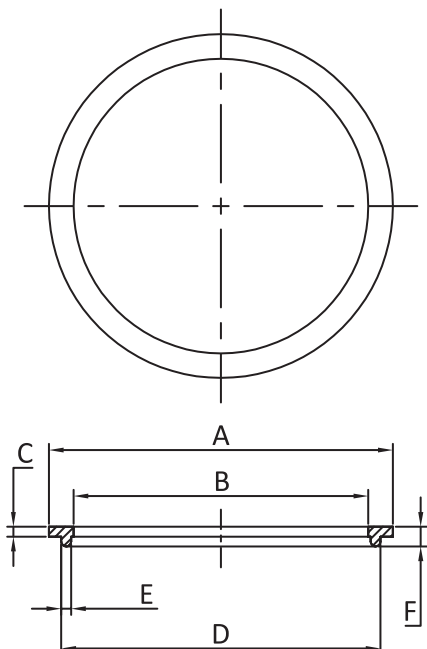


Gaskets with centering lip, for fittings with rotation ring, in silicone or NBR

Minimum Size	Maximum Size	Material	Type	Model
1"	M77 × 2	Silicone NBR FKM (Viton)	Elastomeric gasket with centering lip	66JL

Compatible with:

<input checked="" type="checkbox"/> 66RJ	<input checked="" type="checkbox"/> 66R3
<input checked="" type="checkbox"/> 66RU	<input checked="" type="checkbox"/> 66R4
<input checked="" type="checkbox"/> 66RK	<input checked="" type="checkbox"/> 66R5
<input checked="" type="checkbox"/> 66RV	<input checked="" type="checkbox"/> 66R6
<input checked="" type="checkbox"/> 66RO	<input checked="" type="checkbox"/> 66R7
<input checked="" type="checkbox"/> 66RP	<input checked="" type="checkbox"/> 66R8
<input checked="" type="checkbox"/> 66RQ	<input checked="" type="checkbox"/> 66R9
<input checked="" type="checkbox"/> 66RR	<input checked="" type="checkbox"/> 66RW
<input checked="" type="checkbox"/> 66R2	<input checked="" type="checkbox"/> 66RY






	1"	1-1/4"	1-1/2"	M45x2	2"	2-1/2"	M77x2
A	Ø32	Ø58	Ø58	Ø58	Ø70	Ø90	Ø90
B	Ø50	Ø50	Ø50	Ø50	Ø60	Ø77	Ø77
C	2	2	2	2	2	2	2
D		Ø55	Ø55	Ø55	Ø65	Ø81	Ø81
E		2	2	2	2	2	2
F		4	4	4	4	4	4

Main references

Dimensions	References in Silicone	References in NBR	References in FKM(Viton)
1"	66JLS32040500000	66JLN32040500000	66JLV32040500000
1-1/4" 1-1/2" M45x2	66JLS58040500000	66JLN58040500000	66JLV58040500000
2"	66JLS70040600000	66JLN70040600000	66JLV70040600000
2-1/2" M77x2	66JLS90040770000	66JLN90040770000	66JLV90040770000

Links

	Page (.pdf)
	Drawing 2D (.dwg)
	Drawing 3D (.stp)

Red dimensions inside rectangular frames on drawings are used for assembly on enclosures or on fittings.

